

Ball catches

SPECIFICATION

Identification No.

- No. **1**: standard holding force
- No. **2**: high holding force

Zinc die casting **ZD**
 plastic coated
 black, RAL 9005, textured finish **SW**
 silver, RAL 9006, textured finish **SR**

Ball
 Stainless Steel A2
 Spring
 Stainless Steel AISI 301

Ball guide
 Plastic



INFORMATION

Ball catches GN 4490 are used, for example, to hold flaps and doors closed that must be opened and closed frequently and easily. They consist of a ball housing and a retaining element that engages in the ball housing from the side or front. The installation orientation can be chosen as desired.

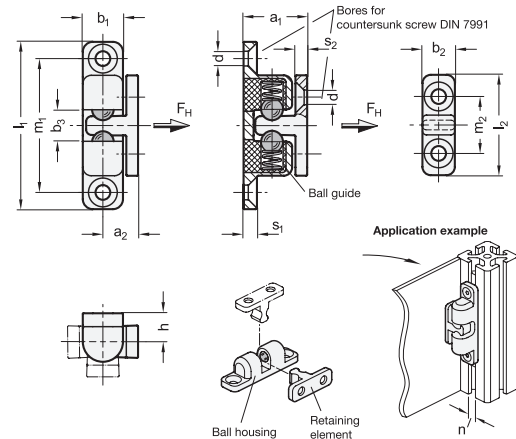
Beyond the typical uses, these solid and attractively designed ball catches are also utilized in technical environments. For example, thanks to the centered 90° countersunk holes, they can also be used with profile systems.

TECHNICAL INFORMATION

- Stainless Steel characteristics (see page A26)

ON REQUEST

- other colors



GN 4490

Description	l1	a1	a2	b1	b2	b3	d	h	l2	m1	m2	s1	s2	for nut width n	Holding force FH in N	
GN 4490-ZD-38-1-SW	38	15	7.5	8	7	4.3	M3	7.5	21	30	12	4	2.5	≤ 4.5	25	12
GN 4490-ZD-38-1-SR	38	15	7.5	8	7	4.3	M3	7.5	21	30	12	4	2.5	≤ 4.5	25	12
GN 4490-ZD-38-2-SW	38	15	7.5	8	7	4.3	M3	7.5	21	30	12	4	2.5	≤ 4.5	35	12
GN 4490-ZD-38-2-SR	38	15	7.5	8	7	4.3	M3	7.5	21	30	12	4	2.5	≤ 4.5	35	12
GN 4490-ZD-50-1-SW	50	20	10.5	12	10	6.5	M4	9.5	30	40	17	5	3.5	≤ 6	30	31
GN 4490-ZD-50-1-SR	50	20	10.5	12	10	6.5	M4	9.5	30	40	17	5	3.5	≤ 6	30	31
GN 4490-ZD-50-2-SW	50	20	10.5	12	10	6.5	M4	9.5	30	40	17	5	3.5	≤ 6	55	31
GN 4490-ZD-50-2-SR	50	20	10.5	12	10	6.5	M4	9.5	30	40	17	5	3.5	≤ 6	55	31
GN 4490-ZD-68-1-SW	68	23	12	14.5	11	9.5	M4	11	32.5	55	20	5	3.5	≤ 8	50	55
GN 4490-ZD-68-1-SR	68	23	12	14.5	11	9.5	M4	11	32.5	55	20	5	3.5	≤ 8	50	55
GN 4490-ZD-68-2-SW	68	23	12	14.5	11	9.5	M4	11	32.5	55	20	5	3.5	≤ 8	70	55
GN 4490-ZD-68-2-SR	68	23	12	14.5	11	9.5	M4	11	32.5	55	20	5	3.5	≤ 8	70	55
GN 4490-ZD-80-1-SW	80	27	14	16.5	13	11	M5	13	40	65	25	6	4	≤ 10	95	88
GN 4490-ZD-80-1-SR	80	27	14	16.5	13	11	M5	13	40	65	25	6	4	≤ 10	95	88
GN 4490-ZD-80-2-SW	80	27	14	16.5	13	11	M5	13	40	65	25	6	4	≤ 10	125	88
GN 4490-ZD-80-2-SR	80	27	14	16.5	13	11	M5	13	40	65	25	6	4	≤ 10	125	88